



GF-Multi Jib Version 3-500 on Set in U.K.

The GF-Multi Jib Arm

The GF-Multi Jib is a professional, lightweight and modular jib arm, suitable for carrying all general remote head systems. It is portable, mobile and mounts on most standard dollies fitted with Euro-adapter or Mitchell mounts.



GF-Multi Jib Version 3-300

The GF-Multi Jib arm consists of:

- 2 x 150cm / 5ft sections
- 1 x 100cm / 3ft section
- 1 x 50cm / 20inch section
- 1 x 30cm / 12inch section
- 1 x Counterweight bucket
- 1 x Remote bracket with 3 way leveller & angle adjuster

The arm is stabilized with an easy to mount, rod rigging system.

In general the 2 x 150cm sections are used as front arm extensions whereas the 100, 50, and 30cm sections function as both rear and front sections.

A multitude of configurations are possible simply by combining the sections and building the arm to the length required.

Features:

Remote operation from 30cm to 485cm
(1ft to 16ft reach)

Lifts up to 60kg/132lbs

Tilt angle: 64 degree's

Fits on most dollies

Mitchell or Euro-adapter mounts

Fast and easy set-up

Extremely lightweight components

Interchangeable extensions

Stable rigid arm

Aluminium alloy construction

Surface hardened finish (Hart-Coat ®)



GF-Multi Jib on Set in U.S.A.



GF-Multi Jib on Set in U.K.

GF-Multi Jib



Grip Factory Munich GmbH
Fürholzener Straße 1
85386 Eching/Munich
Germany

Tel.: +49 (0)89 / 31 90 12 90

Fax: +49 (0)89 / 31 90 12 99

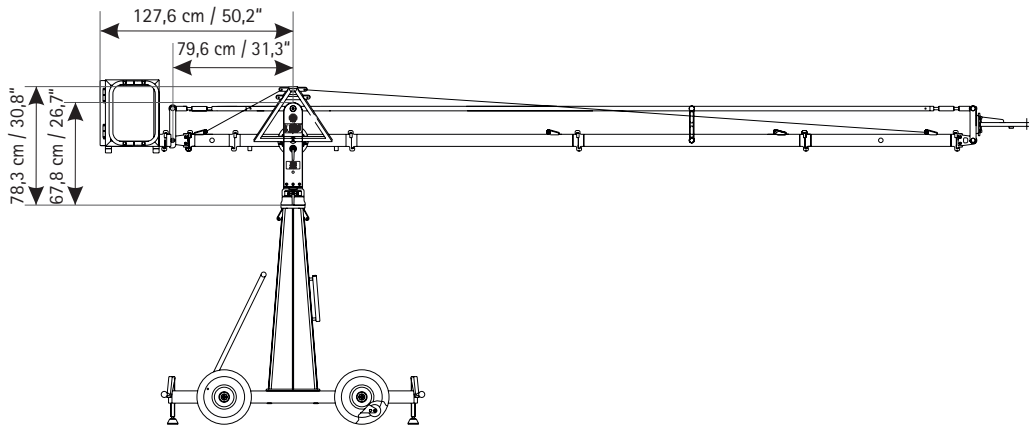
E-Mail: info@g-f-m.net

Internet: www.g-f-m.net

Link to website

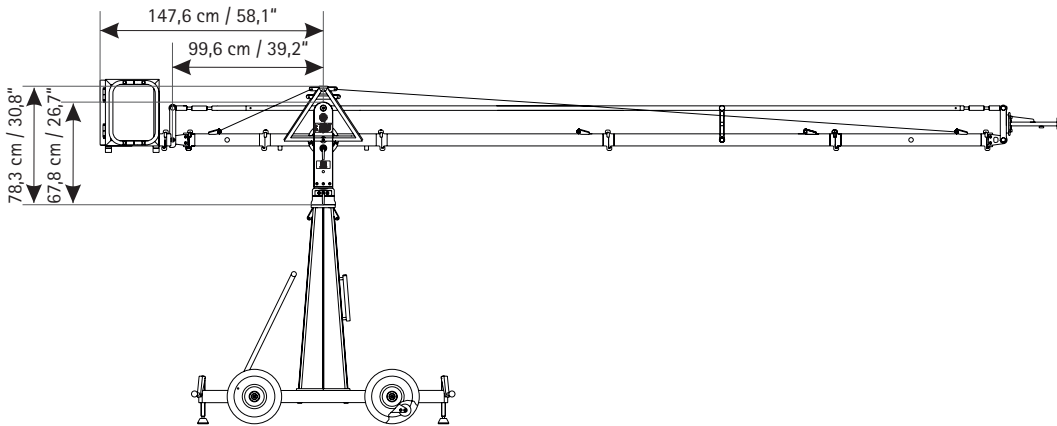


GF-Multi Jib with 30 cm section to weight bucket



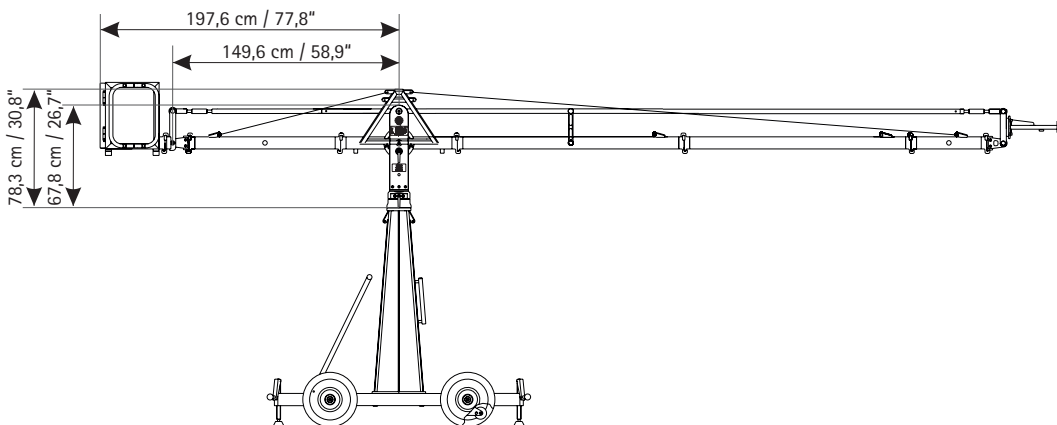
Version	Front reach	Front Extensions	Max. Payload	Counterweight at max. payload
1-300	335 cm / 10' 11"	1x 150 cm / 5' + 1x 100 cm / 3' 3"	54 kg / 119 lbs	252 kg / 555 lbs
2-300	385 cm / 12' 7"	2x 150 cm / 5'	43 kg / 94 lbs	252 kg / 555 lbs
3-300	435 cm / 14' 3"	2x 150 cm / 5' + 1x 50 cm / 1' 7"	32 kg / 70 lbs	252 kg / 555 lbs
4-300	485 cm / 15' 10"	2x 150 cm / 5' + 1x 100 cm / 3' 3"	25 kg / 55 lbs	252 kg / 555 lbs

GF-Multi Jib with 50 cm section to weight bucket



Version	Front reach	Front Extensions	Max. Payload	Counterweight at max. payload
1-500	265 cm / 8' 8"	1x 150 cm / 5' + 1x 30 cm / 11"	60 kg / 132 lbs	154 kg / 339 lbs
2-500	385 cm / 12' 7"	2x 150 cm / 5'	59 kg / 130 lbs	252 kg / 555 lbs
3-500	415 cm / 13' 7"	2x 150 cm / 5' + 1x 30 cm / 11"	50 kg / 110 lbs	252 kg / 555 lbs
4-500	435 cm / 14' 3"	2x 150 cm / 5' + 1x 50 cm / 1' 7"	45 kg / 99 lbs	252 kg / 555 lbs
5-500	485 cm / 15' 10"	2x 150 cm / 5' + 1x 100 cm / 3' 3"	37 kg / 81 lbs	252 kg / 555 lbs

GF-Multi Jib with 100 cm section to weight bucket



Version	Front reach	Front Extensions	Max. Payload	Counterweight at max. payload
1-1000	415 cm / 13' 7"	2x 150 cm / 5' + 1x 30 cm / 11"	60 kg / 132 lbs	186 kg / 410 lbs
2-1000	435 cm / 14' 3"	2x 150 cm / 5' + 1x 50 cm / 1' 7"	60 kg / 132 lbs	196 kg / 432 lbs